



MOD1-HB SERIES WATER FILTRATION DESIGNED FOR USE IN HOT BEVERAGE APPLICATIONS, SPECIFICALLY COFFEE BREWERS

***REQUIRED FLOW RATES UP TO 1.7 GPM
SINGLE BREWER & MULTIPLE BREWERS**

ITEM #: _____ QTY: _____



FEATURES + BENEFITS

- Ensures Quality Working Water
 - + Keeps Equipment Operational
- Ensures Quality Ingredient Water
 - + Provides Finished Product Quality
- Quick Change Design
 - + Ease of Service
- Chlorine Reduction
 - + Taste & Odor Removal
- Cyst Reduction (specific models)
 - + Enhanced Safety
- Chloramines Reduction (specific models)
 - + Improved Taste & Odor Removal
- Incorporates Scale Inhibition
 - + Helps Prevent Scale Build-up
- Optional Sensor / Wi-Fi Monitoring
 - + Optimization of Filter Change-outs

Model Number	Cartridge(s)	Rated Flow	Chlorine Reduction	Chloramines Reduction	Cyst Reduction	Bacterial Reduction*	Particle Class	Scale Inhibition	Certification	Dimensions
MOD1-HB12	HB-12	1.7 GPM (6.4 LPM)	10,000 Gal (37,854 L)				III	✓	NSF/ANSI 42	15.6" W 16.5" H
MOD1-HB12C	HB-12C	1.7 GPM (6.4 LPM)	10,000 Gal (37,854 L)		✓	✓	I	✓	NSF/ANSI 42 & 53	15.6" W 16.5" H
MOD1-HB12CLL	HB-12CLL	1.0 GPM (3.8 LPM)		12,300 Gal (46,561 L)			III	✓	NSF/ANSI 42	15.6" W 16.5" H
MOD1-HB20CLL	HB-20CLL	1.7 GPM (6.4 LPM)		22,000 Gal (83,279 L)			III	✓	NSF/ANSI 42	15.6" W 23.9" H

*Based on Manufacturer's Test Data

INSTALLATION TIPS:

- Always connect to a cold-water line
- Minimum 1/2" incoming water line connection, recommended (3/4" NPT)
- Wall mount, capable of supporting operating weight (see back page)
- Install in vertical position, recommended
- Allow a minimum of 1-1 1/8" clearance below bottom of cartridge(s) to accommodate cartridge changeout
- Water feed connection to hot beverage equipment is made at outlet shut-off valve (3/4" NPT) of the option SF-12
- Flush cartridges for 2 minutes, via outlet flush valve
- If the Finity® WIFI monitor (optional) is being connected, you will need to allow for an electrical connection of less than 8 feet between the wall mounted monitor and the power receptacle

Note: Optional PRE-10 or PRE-20 prefilter assembly may be needed, pending incoming water conditions where heavy dirt load is expected.

OPERATION TIPS:

- System specification should support a 6-12 month changeout of the filter cartridges, based on projected volume throughput and supporting maintenance program
- Cartridge changeout is required once system capacity is reached or when minimum operating pressure drops below equipment requirements (< 20 psi)
- Periodically check system

Note: Prefilter cartridge (if applicable) may require a more frequent changeout, pending incoming water conditions where heavy dirt load is expected.

MARMON WATER FOODSERVICE
55 Railroad Ave West Haven, CT 06516
1-203-629-7839 | 1-888-629-7839

MOD1-HB SERIES

SPECIFICATIONS

WIDTH

MOD1-HB: 15.6" (39.6 cm)
 PRE-10/PRE-20 Option: +7.7" (+19.6 cm)
 WiFi Option: +2.8" (+7.1 cm)

HEIGHT

MOD1-HB w/12" Cartridge: 16.5" (41.9 cm)
 PRE-10 Option: +0" (+0 cm)
 MOD1-HB w/20" Cartridge: 23.9" (60.7 cm)
 PRE-20 Option: +0.8" (+2.0 cm)

DEPTH

MOD1-HB: 5.9" (15 cm)
 PRE-10/PRE-20 Option: +0.8" (2.0 cm)

SERVICE FLOW RATE

MOD1-HB12 = 1.7 GPM (6.4 LPM)
 MOD1-HB12C = 1.7 GPM (6.4 LPM)
 MOD1-HB12CLL = 1.0 GPM (3.8 LPM)
 MOD1-HB20CLL = 1.7 GPM (6.4 LPM)

PRESSURE REQUIREMENTS

10-125 psi (68.9-862 kPa)

TEMPERATURE REQUIREMENTS

35-100° F (2-38°C)

INLET CONNECTION

3/4" NPT

OUTLET CONNECTION

3/4" NPT

ELECTRICAL CONNECTION

Optional: MOD WiFi Monitor Input: 100-240V

OPERATING WEIGHT

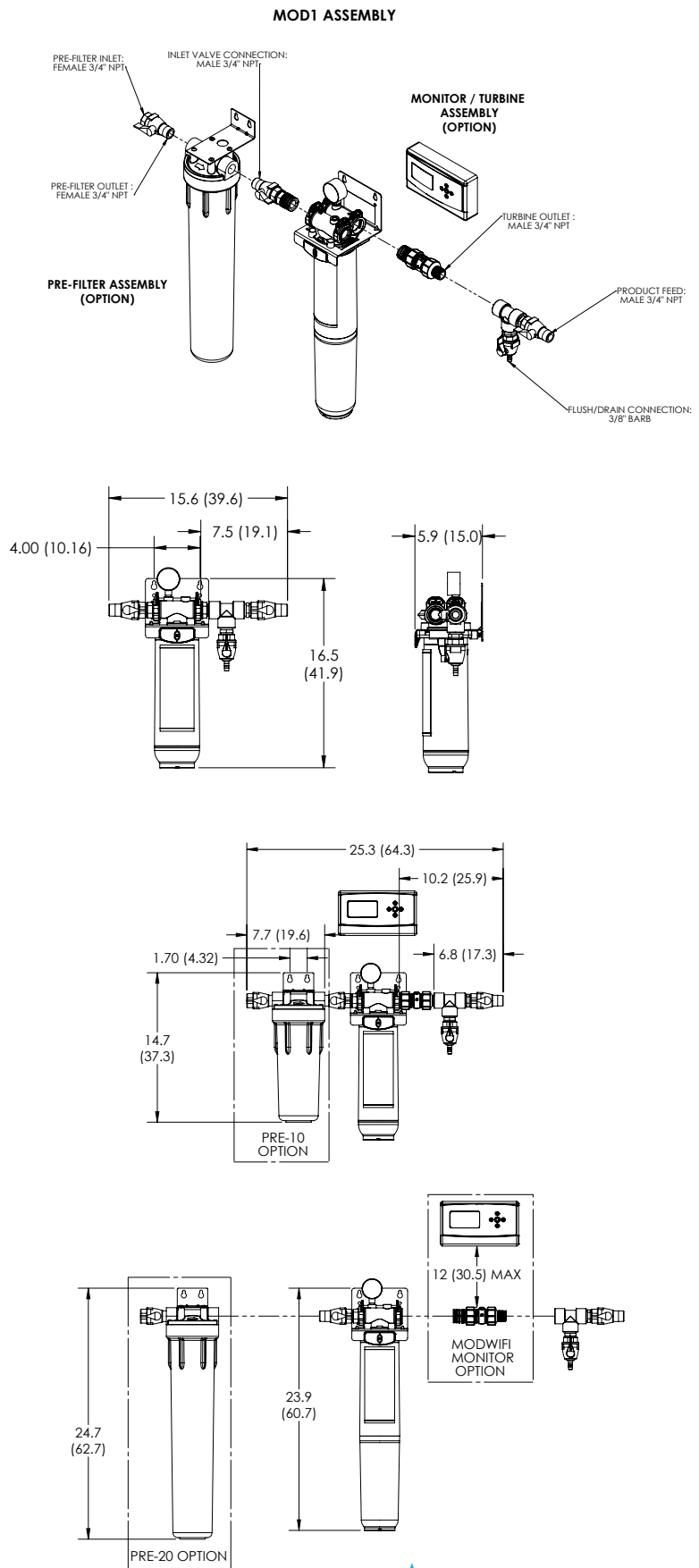
MOD1-HB12 = 9.50 lbs (4.31 kg)
 MOD1-HB12C = 9.50 lbs (4.31 kg)
 MOD1-HB12CLL = 9.50 lbs (4.31 kg)
 MOD1-HB20CLL = 13.00 lbs (5.90 kg)
 PRE-10 Option: +6.50 lbs (+2.95 kg)
 PRE-20 Option: +10.50 lbs (+4.76 kg)

WARRANTY:

Marmon Water Foodservice warrants this product against defects in material and workmanship to the original end-user when installed in accordance with Marmon Water Foodservice specifications. The warranty period commences from the date of purchase. Full warranty available upon request.



Systems tested and certified by NSF International against NSF/ANSI Standard 42 – Aesthetic Effects and Standard 53 – Health Effects, where applicable (see Performance Data Sheets).



MARMON WATER FOODSERVICE
 55 Railroad Ave West Haven, CT 06516
 1-203-629-7839 | 1-888-629-7839